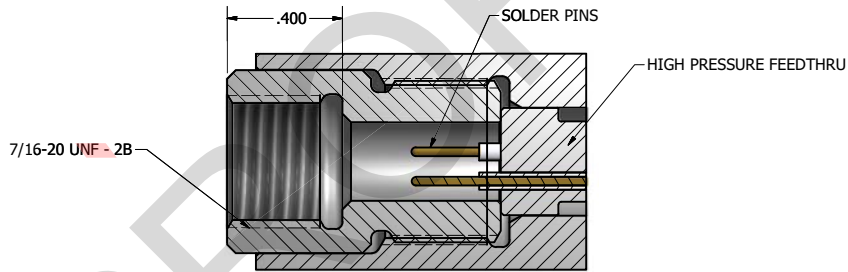
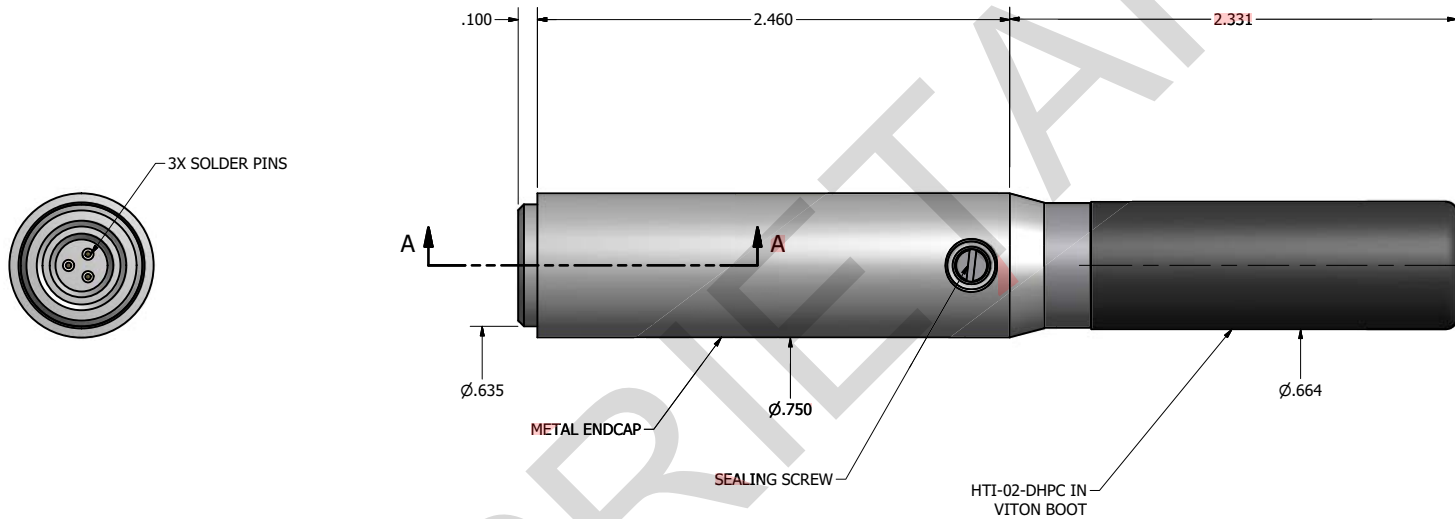



HTI-02-DHPC/D
MECHANICAL OUTLINE



SECTION A-A
SCALE 3 : 1

RELEASE TO AND ACCEPTED BY THE POSSESSOR ON CONDITION THAT NO RIGHTS OF REPRODUCTION OR USE ARE GIVEN EXCEPT FOR PURPOSE ELSEWHERE SPECIFIED IN WRITING BY HIGH TECH.

DRAWN Scott	7/14/2016	 HIGH TECH, INC. 21120 JOHNSON RD. LONG BEACH, MS 39560 (228) 868-6632	
CHECKED			
QA			
MFG			
APPROVED		TITLE	HTI-02-DHPC/D MECH OUTLINE
		SIZE	C
		DWG NO	02-001-25-00-00
		SCALE	
			SHEET 1 OF 1