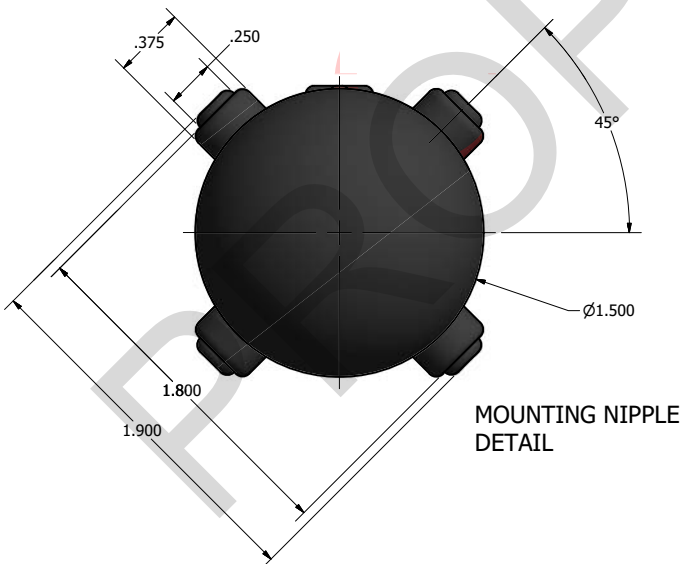
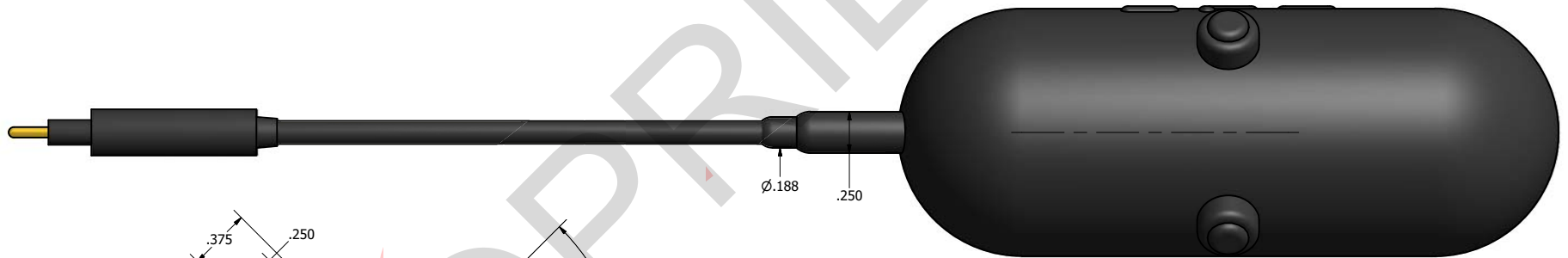
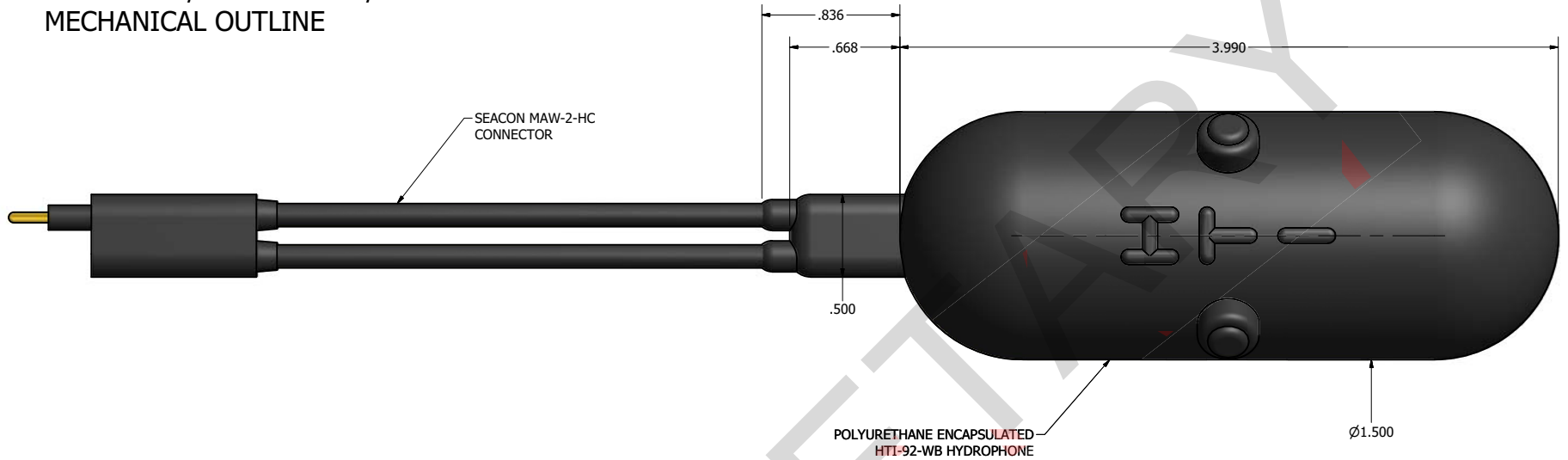



HTI-92-WB / MAW-2-HC w/ MOUNTING NIPPLES  
MECHANICAL OUTLINE



MOUNTING NIPPLE  
DETAIL

RELEASE TO AND ACCEPTED BY THE POSSESSOR ON CONDITION THAT NO RIGHTS OF REPRODUCTION OR USE ARE GIVEN EXCEPT FOR PURPOSE ELSEWHERE SPECIFIED IN WRITING BY HIGH TECH.				
DRAWN Scott	3/10/2016	 <b>HIGH TECH, INC.</b> 21120 JOHNSON RD. LONG BEACH, MS 39560 (228) 868-6632		
CHECKED				
QA				
MFG				
APPROVED				
TITLE HTI-92-WB/MAW2/NIPPLE MECH OUTLINE		SIZE C	DWG NO 92-001-25-00-00	REV
SCALE		SHEET 1 OF 1		