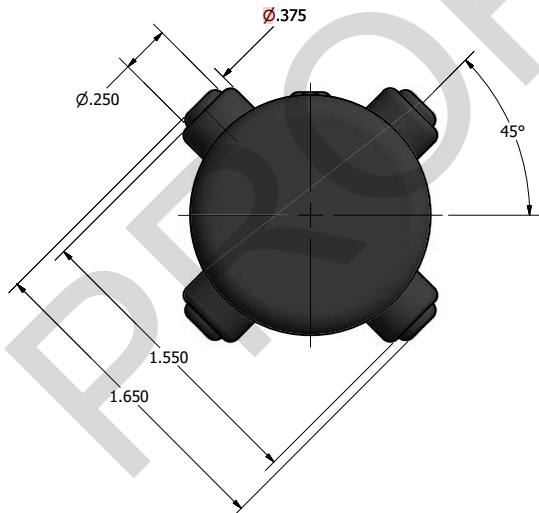
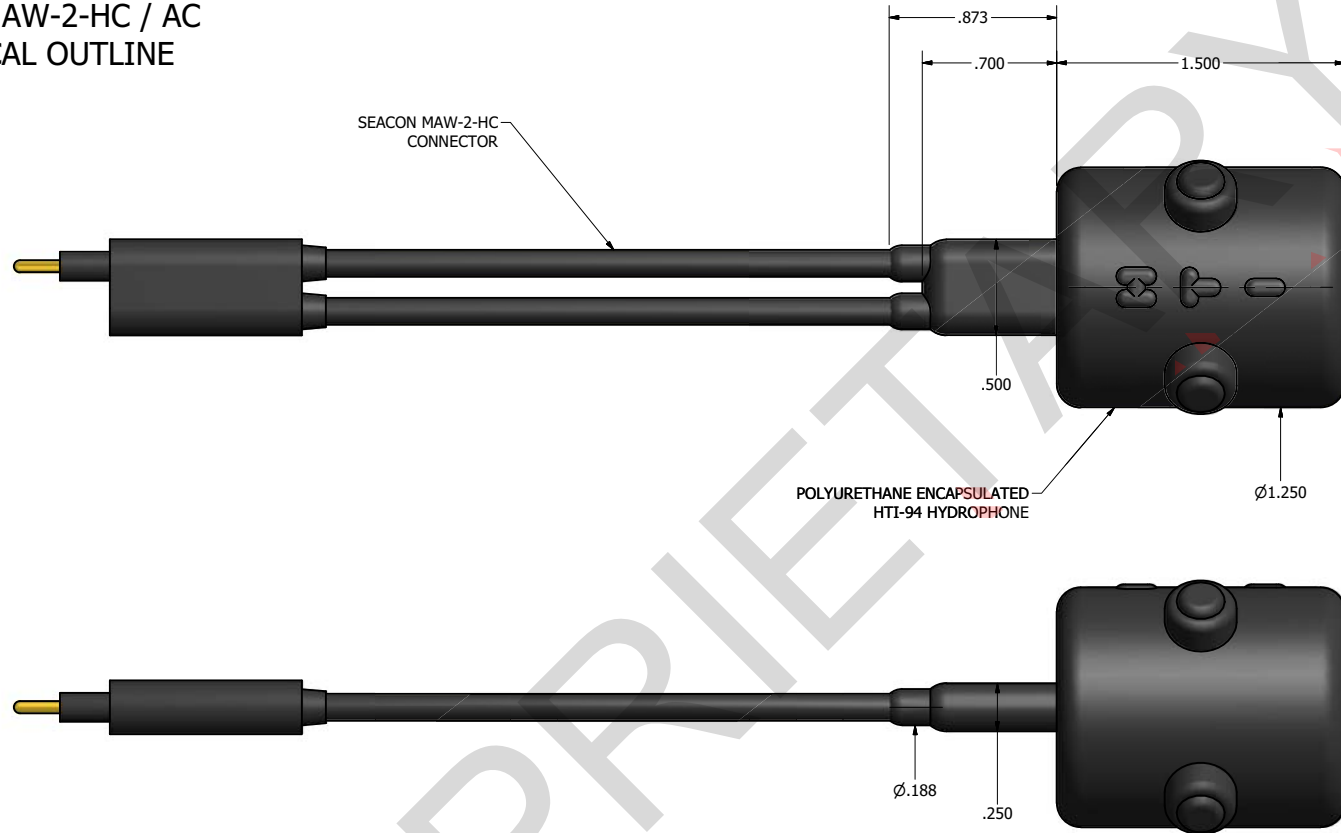



HTI-94 / MAW-2-HC / AC  
MECHANICAL OUTLINE



RELEASE TO AND ACCEPTED BY THE POSSESSOR ON CONDITION  
THAT NO RIGHTS OF REPRODUCTION OR USE ARE GIVEN EXCEPT  
FOR PURPOSE ELSEWHERE SPECIFIED IN WRITING BY HIGH TECH.

DRAWN Scott	3/11/2016	 <b>HIGH TECH, INC.</b> 21120 JOHNSON RD. LONG BEACH, MS 39560 (228) 868-6632
CHECKED		
QA		
MFG		
APPROVED		TITLE <b>HTI-94/MAW2/AC MECH OUTLINE</b>
		SIZE <b>C</b>
		DWG NO <b>94-002-25-00-00</b>
		SCALE
		REV
		SHEET 1 OF 1