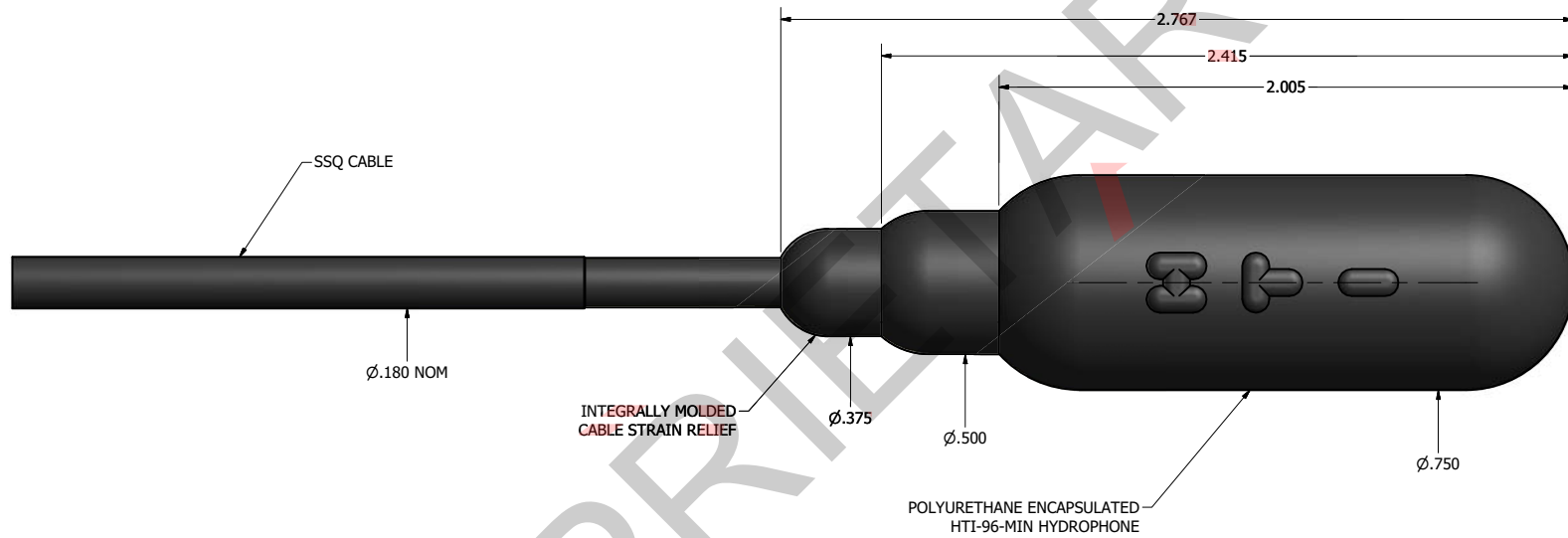


HTI-96-MIN/SSQ
MECHANICAL OUTLINE



PROPRIETARY

RELEASE TO AND ACCEPTED BY THE POSSESSOR ON CONDITION
THAT NO RIGHTS OF REPRODUCTION OR USE ARE GIVEN EXCEPT
FOR PURPOSE ELSEWHERE SPECIFIED IN WRITING BY HIGH TECH.

DRAWN	3/9/2016
Scott	
CHECKED	
QA	
MFG	
APPROVED	

HIGH TECH, INC.
21120 JOHNSON RD.
LONG BEACH, MS 39560
(228) 868-6632

TITLE		HTI-96-MIN/SSQ MECH OUTLINE	
SIZE	DWG NO	REV	
C	96-002-25-00-00		
SCALE	SHEET 1 OF 1		